

Reactional Torque Transducer Type 4509A... (0154RW)

Type 4509A...

Application:

The construction was optimized concerning the length, weight (moment of inertia) and volume, for to minimize axial forces and bending load on the measuring element.

For special measuring assignments, the construction of our torque transducers can be adjusted to the respective application.



Shaft End Version 4509A... (0154RW)

General Information:

Reaction torque transducers Type 4509A... (0154RW) are usable for static and quasistatic applications of torque measuring.

By that way a maintenance-free torque measuring is possible.

The applications are suitable for adjusting torque at shut-off couplings, measuring of stirring devices and checking electric and pneumatic motors.

Special features:

- Nominal range 0,25 Nm to 100 Nm
- Accuracy 0,2 % of full scale
- Standardized output signal
- Easy to handle
- Compact design

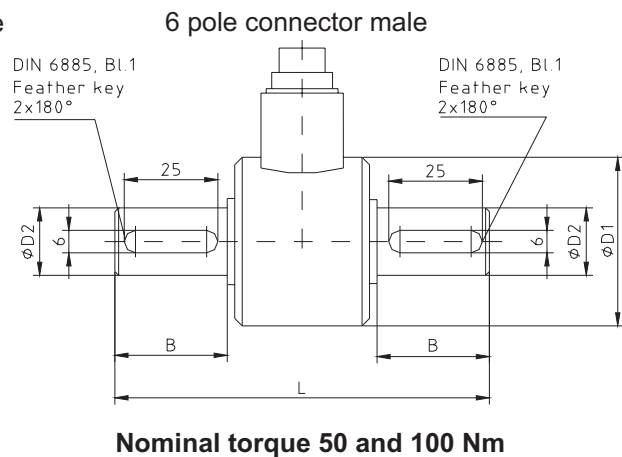
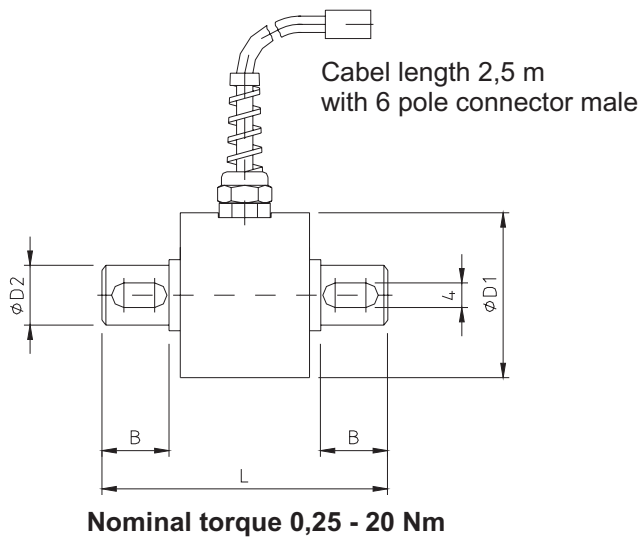
Example of order:

Type	Nominal torque	Part#
4509A... 0154RW	0,25 Nm	6036
	0,5 Nm	6034
	1 Nm	6033
	2 Nm	5648
	5 Nm	5653
	10 Nm	5794
	20 Nm	5784
	50 Nm	21524
	100 Nm	17277

Example of order: 4509A - 2 - 5648

Mechanical specifications:

Rated output:	1 mV/V, 0,5 mV/V with 0,25 Nm
DMS-bridge resistance:	350 , nominal
Supply voltage:	5 Nm, to 6 V, > 5 Nm, to 12 V
Linearity error including hysteresis:	± 0,2 % f.s. ± 0,3 % f.s. for measuring range 0,5 Nm and 0,25 Nm
Repeatability value:	± 0,02 % v.E.
Temperature influence on the zero point:	± 0,01 % of full scale/K (zero signal)
Temperature influence on nominal value:	± 0,01 % of full scale/K
Rated temperature range:	-5 ... +45°C
Operating temperature range:	-15 ... +55°C
Overload capacity:	150 % of nominal range
Rupture torque:	> 300 % of nominal range
Dynamic performance:	70 % of capacity
Protection class:	IP 45



Mechanical Dimensions:

Nominal torque in Nm	L	Ø D1	Ø D2	B	Feather key slots*	Article-no.
0,25	50	38	12	12	without	6036
0,5	50	38	12	12	without	6034
1	50	38	12	12	without	6033
2	50	38	12	12	2x180°	5648
5	50	38	12	12	2x180°	5653
10	50	38	12	12	2x180°	5794
20	50	38	12	12	2x180°	5784
50	100	45	18	30	2x180°	21524
100	100	45	18	30	2x180°	17277

* Both shaft ends with feather key slots(2x 180°) acc. to DIN 6885, sheet 1

Accessories:

- Supply and evaluation instrument
- Industrial measuring amplifier for strain gauge transducer
- 19" module amplifier

- Data sheet: 4600, UMV 3000
- Data sheet: 4115
- Data sheet: 4103

Electrical connection:

PIN 1	-	Excitation
PIN 2	+	Excitation
PIN 3		shield
PIN 4	+	output signal
PIN 5	-	output signal
PIN 6		100 % calibration signal

Mating connector 6-pole connector
part# 822, (Binder type: 99-2022.09-6)
For nominal torque 0,25 - 100 Nm